

REV	DATE	DRAWN	CHECK	REL No.	DESCRIPTION
1	19/06/2015	CE	IM	-	INITIAL ISSUE

TYPE	D1	D2	D3	D4	H1	H2	H4	Weight KG	SWL			
									$\theta=90^\circ$		$\theta=0^\circ$	
									(kN)	(t)	(kN)	(t)
150	150	216	105	71	137	16	212	29	265	27	186	19
200	200	280	135	93	157	20	227	53	441	45	314	32
250	250	340	155	113	177	22	245	96	579	59	412	42
300	300	400	175	128	197	24	289	136	726	74	510	52
350	350	460	190	145	217	26	309	192	1040	106	736	75
400	400	520	200	154	237	28	344	262	1246	127	883	90
450	450	590	220	167	257	30	364	347	1599	163	1128	115
500	500	660	235	178	277	32	384	454	1942	198	1373	140



ISOMETRIC VIEW
NOT TO SCALE

UNLESS OTHERWISE SPECIFIED
DIMENSIONS ARE IN MM

FRACT	DECIMALS	ANGLES
$\frac{1}{32}$	X. ±2	X ±.40
	.XX ±0.10	±2°

COPYRIGHT FENDERCARE LIMITED
DIMENSIONS AND TOLERANCES PER ISO 8015:2011
REMOVE BURRS AND SHARP EDGES
ALL DIMS IN MILLIMETRES UNLESS OTHERWISE STATED
DO NOT SCALE DRAWING DO NOT PASS TO A THIRD PARTY

THIS DRAWING MAY CALL FOR THE USE OF PROCEDURES THAT MAY BE INJURIOUS TO HEALTH IF ADEQUATE PRECAUTIONS ARE NOT TAKEN. IT REFERS ONLY TO TECHNICAL SUITABILITY AND DOES NOT ABSOLVE THE USER FROM LEGAL OBLIGATIONS RELATING TO HEALTH AND SAFETY AT ANY STAGE

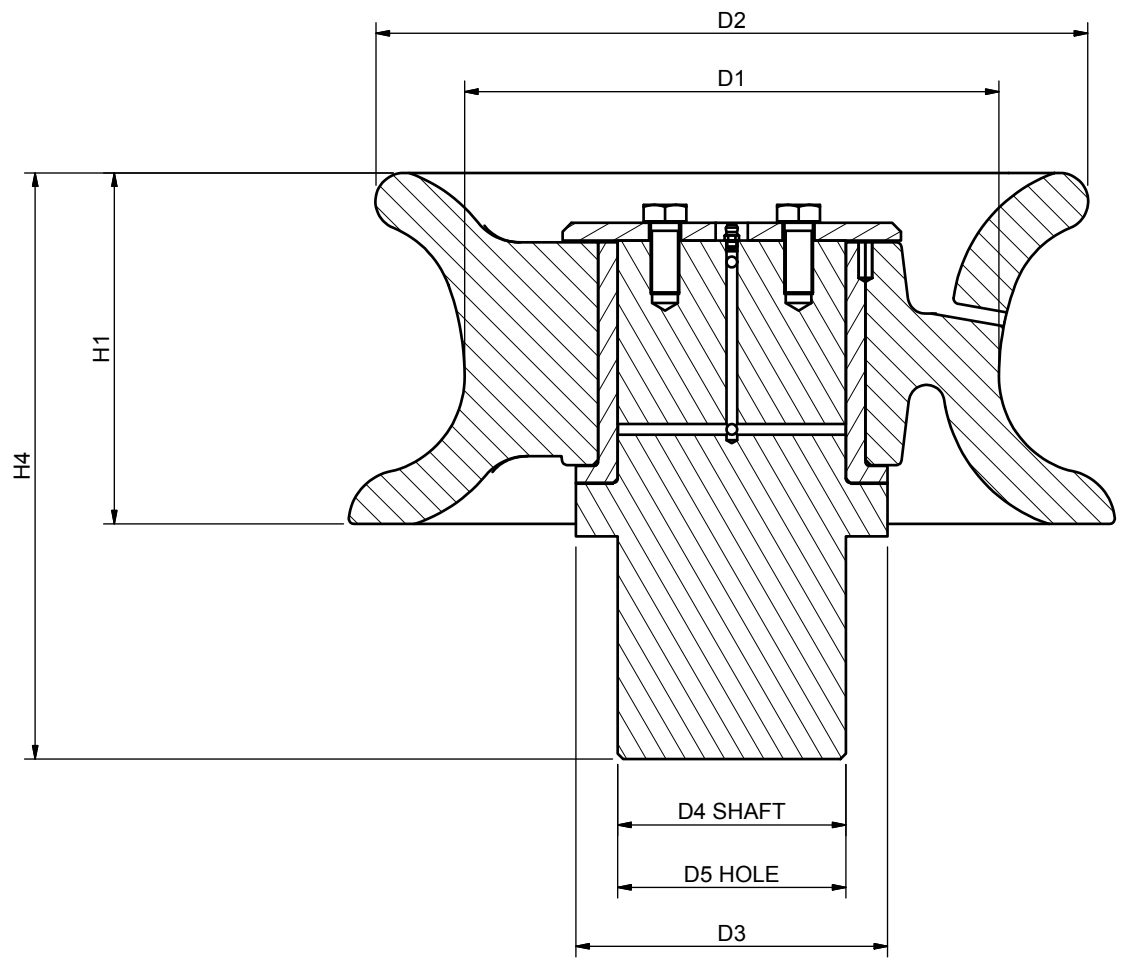
fendercare
marine

ENTERPRISE HOUSE HARVEYS LANE
SEETHING NORFOLK NR15 1EN ENGLAND
TEL +441508 483705 FAX +441508 482710
EMAIL: sales@fendercare.com

MATERIAL:	STEEL		
FINISH:	BLAST TO Sa2.5 & PRIME UNLESS STATED OTHERWISE		
ESTIMATED MASS:	N/A		
DRAWN:	CE	SCALE:	N.T.S.
CHECKED:	IM	DATE:	19/06/2015

TITLE:
ISO 13755 - VARIOUS SIZES - STEEL ROLLER - SALES DRAWING

SHEET:	DRAWING No:		
1 OF 1	42322	Issue:1	A3



SEE ISO:13776 FOR PEDESTAL



3RD ANGLE PROJECTION