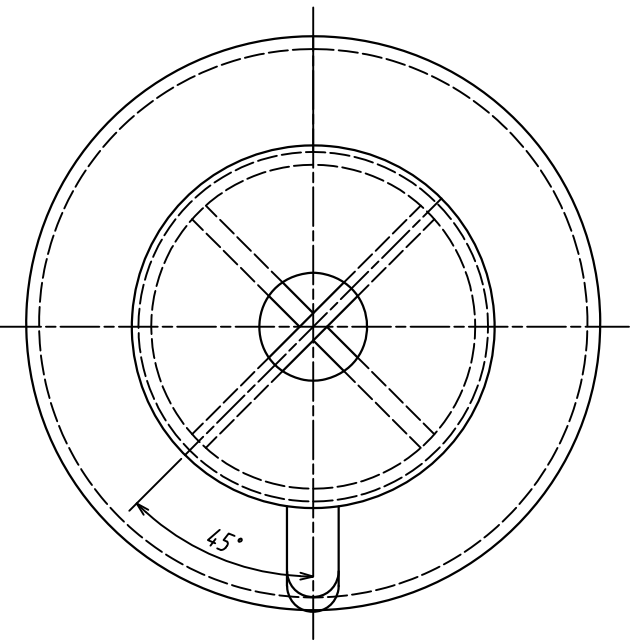


技术要求:  
 1、该图纸参照标准为ISO13776制作。  
 2、产品完工后, 表面喷砂, 喷涂富锌底漆1度, 膜厚度为50um

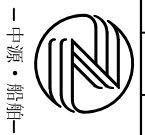
TECHNICAL REQUIREMENT:

1, the drawing reference to standards of ISO13776.  
 2, after the products completion, surface sandblasting, paint zinc-rich primer 1 degree.



1	Steel Roller	A400 ISO/DIS 13755	1	Assembly		
1	Seat		1	Q235-B		
Item		Denomination	Dwg.nr.or Standard	Pcs.	Material	Net weight Kg./pc.
Designed		Lzx				
Drawn		Lzx				
Checked		Pjh				
Standards		Pjh				
Approved		Dyy				
		Weight:474Kg		ISO13776 A400-1250		1/1
		Date:				1:8
		Customer:				
		Count:				

stand roller



泰州市中源船舶机械制造有限公司  
 Tai Zhou Zhong Yuan Shipping Machinery Manufacturing CO., LTD

—中源·船舶—